

# 4K Starlight OmniView Network Camera

IPC8542ER5-DUP



## Key Features



## Optics

- Fifth-generation infrared technology, up to 50m (164ft) IR distance
- Starlight illumination
- Smart IR
- 2D/3D DNR (Digital Noise Reduction)
- 120dB true WDR
- Support a horizontal viewing angle of 180°

## Compression

- Ultra H.265, H.265, H.264, MJPEG
- Five streams
- Customized OSD
- 4096×1800@30fps supported

## Network

- ONVIF Conformance

## Structure

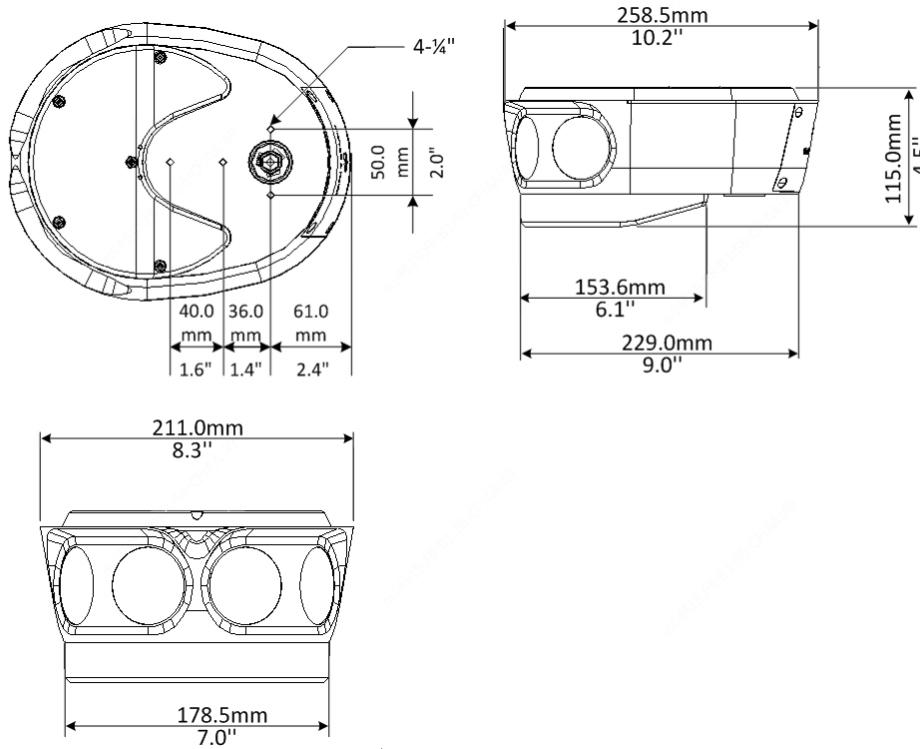
- AC/DC24V or PoE(IEEE 802.3at) power supply
- Wide voltage range of  $\pm 25\%$  in AC, 18V~48V in DC
- Micro SD, up to 256 GB
- Alarm 2 in and 1 out, Audio 1 in and 1 out
- IP67 ingress protection

## Specifications

IPC8542ER5-DUP					
<b>Camera</b>					
Sensor	1/1.8" progressive scan, 2.0 megapixel, CMOS				
Lens	4x4.2mm lens				
Iris	F1.8				
DORI Distance	Lens (mm)	Detect (m)	Observe (m)	Recognize (m)	Identify (m)
	4.2	50.4 (165.4ft)	20.2(66.3ft)	10.1(33.1ft)	5.0(16.4ft)
Angle of View (H)	180°				
Angle of View (V)	80°				
Angle of View (O)	221.4°				
Shutter	Auto/Manual, shutter time: 1 s ~ 1/100000 s				
Adjustment angle	Pan: -90°~90°			Tilt: -45°~60°	
Min. Illumination	Colour: 0.002lux (F1.8,AGC ON) 0lux with IR				
WDR	120dB				
Day/Night	IR-cut filter with auto switch (ICR)				
S/N	>52dB				
IR Range	Up to 50m (164ft) IR range				
Wavelength	850nm				
IR On/Off Control	Auto/Manual				
Defog	Digital Defog				
<b>Video</b>					
Video Compression	Ultra 265, H.265, H.264, MJPEG				
Frame Rate	Main Stream: 4096×1800:Max. 30 fps; Sub Stream: 1920×832:Max. 30 fps; Third Stream: 1280×560: Max. 30 fps; Fourth Stream: 1280×560: Max. 30 fps; Fifth Stream: 1280×560: Max. 30 fps;				
Video Bit Rate	128 Kbps~16 Mbps				
ROI	Supported				
Video stream	Five streams				
OSD	Up to 8 OSDs				
Privacy Mask	Up to 8 areas(8 blacks/8 mosaics)				
<b>Image</b>					
White Balance	Auto/Outdoor/Fine Tune/Sodium Lamp/Locked/Auto2				

Digital noise reduction	2D/3D DNR
Smart IR	Support
Flip	Normal/Flip Vertical/Flip Horizontal/180°/90°Clockwise/90°Anti-clockwise
HLC	Support
BLC	Support
<b>Smart</b>	
General Function	Watermark, IP Address Filtering, Tampering Alarm, Alarm input, Alarm output, Access Policy, ARP Protection, RTSP Authentication, User Authentication
<b>Audio</b>	
Audio Compression	G.711U, G.711A
Two-way Audio	Supported
Suppression	Supported
Sampling Rate	8KHZ
<b>Storage</b>	
Edge Storage	Micro SD, up to 256 GB
Network Storage	ANR,NAS(NFS)
<b>Network</b>	
Protocols	IPv4, IGMP, ICMP, ARP, TCP, UDP, DHCP, PPPoE, RTP, RTSP, RTCP, DNS, DDNS, NTP, FTP, UPnP, HTTP, HTTPS, SMTP, 802.1x, SNMP, QoS, RTMP
Compatible Integration	ONVIF (Profile S, Profile G, Profile T), API
Client	EZStation EZLive Ezview
Web Browser	Plug-in required live view: IE9+, Chrome 41 and below, Firefox 52 and below
<b>Interface</b>	
Audio I/O	Audio cable
	1 Input: impedance 35kΩ; amplitude 2V [p-p]
	1 output: impedance 600Ω; amplitude 2V [p-p]
Serial Port	1 RS485
Alarm I/O	2/1
Network	2*10M/100M/1000M Base-TX Ethernet
<b>Certification</b>	
Certifications	CE: EN 60950-1 UL: UL 60950-1 FCC: FCC Part 15
<b>General</b>	
Power	AC24V±25%/DC24V support 18V-48V, PoE(IEEE 802.3at)
	Power consumption: Max 24W
Dimensions (Ø x H)	259mmx211mmx115mm(10.2"x8.3"x4.5")
Weight	2.38kg(5.25lb)
Working Environment	-40°C ~ +70°C (-40°F ~ 158°F), Humidity: ≤95%RH RH(non-condensing)
Storage Environment	-40°C ~ +70°C (-40°F ~ 158°F), Humidity: ≤95%RH RH(non-condensing)
surge protection	6KV
Ingress Protection	IP67

## Dimensions

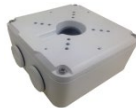


## Accessories

TR-WE45-D-IN



TR-JB07-D-IN



TR-CM06-C-IN



TR-UV06-C-IN

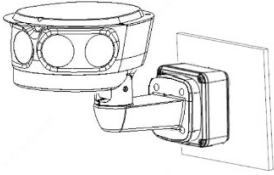
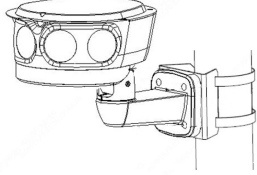


TR-UP06-IN



TR-UP06-B-IN



Junction Mount	Pole Mount
TR-WE45-D-IN + TR-JB07-D-IN	TR-WE45-D-IN + TR-UP06-B-IN
	
Pendent mount	Rail mount
TR-CM06-C-IN	TR-UV06-C-IN+ TR-UP06-IN
