

5MP LightHunter Active Deterrence Mini PTZ Camera

IPC675LFW-AX4DUPKC-VG



Features

- High quality image with 5MP, 1/2.7" CMOS sensor
- Ultra 265, H.265, H.264, MJPEG
- Smart intrusion prevention, support false alarm filtering, include Cross Line, Intrusion, Enter Area, Leave Area detection
- automatic selection of best snapshots
- People Counting, support people flow counting and crowd density monitoring, suitable for different statistical scenarios
- LightHunter technology ensures ultra-high image quality in low illumination environment
- Up to 120 dB Optical WDR (Wide Dynamic Range)
- Built-in Mic & Speaker
- Smart IR, Up to 50 m (164 ft) IR distance and 10m (33 ft) warm light distance
- Micro SD, up to 256GB
- IP66 protection
- DC12V or PoE (IEEE 802.3af) power supply

Specifications

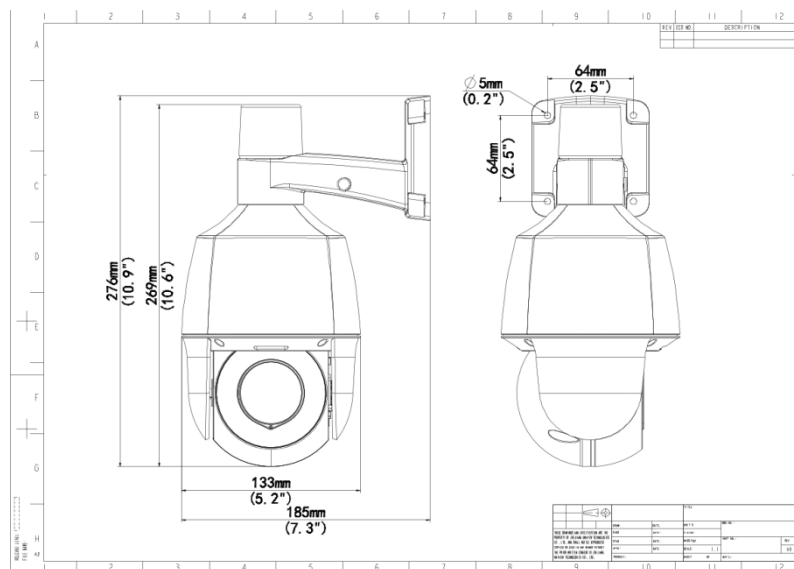
Camera	Description
Sensor	1/2.7" CMOS
Min. Illumination	Colour:0.003 lux (F1.6, AGC ON) 0 lux with IR
Day/Night	IR-cut filter with auto switch (ICR)
Shutter	Auto/Manual, 1 ~ 1/100000s
WDR	120dB
S/N	>52dB
Lens	Description
Focal Length	2.8 ~ 12 mm
Optical Zoom	4X
Iris	F1.6
Field of View (H)	104.1° ~ 30.6°
Field of View (V)	54.9° ~ 17.4°
Field of View (D)	108.3° ~ 34.4°
DORI	Description
DORI Distance (Lens)	2.8~12(mm)
DORI Distance (Detect)	63.0m~270.0m(206.7ft~885.8ft)
DORI Distance (Observe)	25.2m~108.0m(82.7ft~354.3ft)
DORI Distance (Recognize)	12.6m~54.0m(41.3ft~177.2ft)
DORI Distance (Identify)	6.3m~27.0m(20.7ft~88.6ft)
Illuminator	Description
Illumination Distance (Warm Light)	10 m (32.8 ft)
Illumination Distance (IR)	50 m (164.0 ft)
Wavelength	850 nm
Light On/Off Control	Auto/Manual
Video	Description
Video Compression	Ultra 265; H.265; H.264; MJPEG

Frame Rate	Main Stream: 5MP (2880*1620), Max 30fps Sub Stream: 720P (1280*720), Max 30fps Third Stream: D1 (720*576), Max 30fps
Video Bit Rate	128 Kbps ~ 16 Mbps
Privacy Mask	Up to 4 areas
ROI	Support
Video Stream	Triple Streams
OSD	Up to 8 OSDs
Image	Description
Defog	Digital Defog
White Balance	Auto; Outdoor; Fine Tune; Sodium Lamp; Locked; Auto2
Digital Noise Reduction	2D/3D DNR
Smart IR	Support
Flip	Normal; Flip Vertical; Flip Horizontal; 180°
HLC	Support
BLC	Support
Heatwave Reduction	N/A
Intelligent	Description
Smart Intrusion Prevention	Cross line detection, Intrusion detection, Enter area detection, Leave area detection (support false alarm filtering and the classification of human, non-motor vehicle and vehicle)
Auto Tracking	Support, target filtering: human only
People Counting	Support People Flow Counting and Crowd Density Monitoring
Events	Description
Basic Detection	Motion Detection; Tampering Alarm; Audio Detection; Object Removed; Object Left Behind; Scene Change; Defocus Detection
General Function	Watermark; IP Address Filtering; Access Policy; ARP Protection; RTSP Authentication; User Authentication
Audio	Description
Audio Compression	G.711U; G.711A
Two-way Audio	Support
Suppression	Support
Sampling Rate	8 KHz

Storage	Description
Edge Storage	Micro SD, up to 512 GB
Network Storage	ANR; NAS (NFS)
PTZ	Description
Pan Range	0° ~ 345°
Pan Speed	0.1°/s ~ 50°/s
Tilt Range	-10° ~ 110°
Tilt Speed	0.1°/s ~ 40°/s
Number of Presets	256
Preset Patrol	16 patrols, up to 64 presets for each patrol
Patrol Stay Time	120s ~ 1800s
Home Position	Support
Network	Description
Protocols	SSH; IGMP; RTP; RTCP; SMTP; IPv4; IPv6; ICMP; ARP; TCP; UDP; DHCP; PPPoE; RTSP; RTMP; DNS; DDNS; NTP; FTP; UPnP; HTTP; HTTPS; 802.1x; SNMP; QoS; SSL/TLS
Compatible Integration	ONVIF (Profile S, Profile G, Profile T); API; SDK
Client	EZStation; UNV-Link; UNV-Link Pro
Web Browser	Plug-in required live view: IE 10 and above, Chrome 45 and above, Firefox 52 and above, Edge 79 and above
Interface	Description
Built-in Mic	Support
Built-in Speaker	Support
Network	1 x RJ45 10M/100M Base-TX Ethernet
Certification	Description
EMC	CE-EMC (EN55032:2015, EN55024:2010+A1:2015, EN55035:2017, EN61000-3-2:2014, EN61000-3-3:2013) FCC (FCC CFR 47 part15 B, ANSI C63.4-2014)
Safety	CE LVD (EN 62368-1:2014+A11:2017) UL (UL 62368-1, 2nd Ed., Issue Date: 2014-12-01)
Environment	CE-ROHS (2011/65/EU;(EU)2015/863)
Protection	IP66 (IEC 60529:1989+AMD1:1999+AMD2:2013)

General	Description
Power	DC12V(±25%), PoE(IEEE 802.3af)
Power Consumption	MAX 18W
Power Interface	Ø 5.5 mm coaxial power plug
Dimensions	133 x 185 x 276 mm (5.2" x 7.3" x 10.9") (L x W x H)
Weight	0.87 kg (1.92lb)
Working Environment	-20 °C ~ 60 °C (-4 °F ~ 140 °F), Humidity: ≤95% RH (non-condensing)
Storage Environment	-40 °C ~ 70 °C (-40 °F ~ 158 °F), Humidity: ≤95% RH (non-condensing)
Surge Protection	2KV
Reset Button	Support
Web Client Language	22 Languages Traditional Chinese, English, Simplified Chinese, Polish, German, Russian, French, Korean, Dutch, Czech, Portuguese (Europe), Portuguese (Brazil), Japanese, Thai, Turkish, Spanish (Latin America), Spanish (Europe), Hungarian, Italian, Vietnamese, Arabic, Slovak

Dimensions



Accessories

TR-JB07-D-IN

Bullet Junction Box(Support wiring from behind)

TR-UP06-B-IN

Bullet Pole Mounting Bracket

TR-CM06-D

Alarm Ball Machine Hoisting Bracket



TR-UC08-C

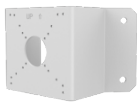
Bullet&Dome Corner Mounting Bracket

TR-A01-IN

NPT 3/4" Waterproof Cable Gland

TR-UP06-C-IN

Pole Mounting Bracket for Bullet Junction Box Only



Zhejiang Uniview Technologies Co., Ltd.

No. 369, Xietong Road, Xixing Sub-district, Binjiang District, Hangzhou City, 310051, Zhejiang Province, China (Zhejiang) Pilot Free Trade Zone, China

Email: overseasbusiness@uniview.com; globalsupport@uniview.com

<http://www.uniview.com>

©2023-2024 Zhejiang Uniview Technologies Co., Ltd. All rights reserved.

*Product specifications and availability are subject to change without notice.

*Despite our best efforts, technical or typographical errors may exist in this document. Uniview cannot be held responsible for any such errors and reserves the right to change the contents of this document without prior notice.