

10 Ports Full Gigabit Managed PoE Switch

8*1000M POE +2*GF SFP Managed PoE Switch

EWIND



- 8*10/100/1000M PoE Port + 2*1000M SFP slot
Managed PoE Switch,1-8 ports support IEEE 802.3af/at;
- PoE port support AF/AT intelligent recognition. Standard power is 15.4W/port, Maximum power:30W/port;
- Switching capacity:20Gbps, MAC table:8K;
- The power supply total is 120W;
- 2 years warranty.

RoHS FCC CE

Introduction

The EW-S2910GM-AP is a full gigabit L2+ managed POE fiber switch. It has 8*10/100/1000Base-T POE ports and 2*100/1000Base-X SFP fiber slot ports. Single port PoE power reaches 30W, and the maximum PoE output power is 120W(at-250W). As a PoE power supply device, it can automatically detect and recognize the power receiving equipment that meets the standard and supply power through the network cable. It can supply power to POE terminal equipment such as wireless AP, webcam, VoIP phone, building visual access control intercom through network cable, to meet the network environment that needs high-density PoE power supply, suitable for hotels, campuses, parks, supermarkets, scenic spots, Factory quarters and SMB small and medium-sized enterprises form a cost-effective network.

The EW-S2910GM-AP has the L2+ full network management, support IPV4/IPV6 management, static route full line rate forwarding, security protection mechanism, complete ACL/QoS policy and rich VLAN functions, and is easy to manage and maintain. Supports multiple network redundancy protocols STP/RSTP/MSTP (<50ms) and (ITU-T G.8032) ERPS to improve link backup and network reliability. When one-way network fails, communication can be quickly restored to ensure important Uninterrupted communication for applications. According to the actual application requirements, you can configure multiple application services such as PoE power management, port traffic control, VLAN division, and SNMP through the Web network management mode.

TECHNICAL SPECIFICATION

Model	EW-S2910GM-AP
Fixed Port	8*10/100/1000Base-T PoE ports (Data/Power) 2*100/1000Base-X uplink SFP slot ports (Data) 1 * RS232 console port (115200, N,8,1)

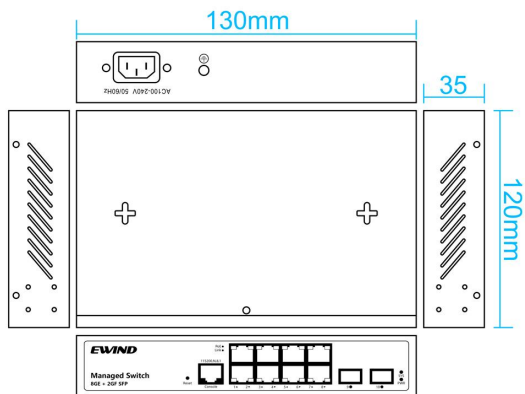
Ethernet Port	10/100/1000Base-T(X), Auto-sensing, Full/half duplex MDI/MDI-X self-adaption
Twisted Pair Transmission	10BASE-T: Cat3,4,5 UTP (≤ 100 meter) 100BASE-TX: Cat5 or later UTP (≤ 100 meter) 1000BASE-T: Cat5e or later UTP (≤ 100 meter)
SFP Slot Port	Gigabit SFP optical fiber interface, default matching optical modules (optional order single-mode / multi-mode, single fiber / dual fiber optical module. LC)
Optical Cable	Multi-mode: 850nm 0 ~ 550M, single mode: 1310nm 0 ~ 40KM, 1550nm 0 ~ 120KM.
Network Management Type	L2+
Network Protocol	IEEE802.3 10BASE-T; IEEE802.3i 10Base-T; IEEE802.3u 100Base-TX; IEEE802.3ab 1000Base-T IEEE802.3z 1000Base-X IEEE802.3x
Forwarding Mode	Store and Forward (Full Wire Speed)
Switching Capacity	20Gbps
Forwarding Rate@64byte	14.88Mpps
MAC	8K
Buffer Memory	4.1M
Jumbo Frame	10K
LED Indicator	Power:PWR(yellow), system :SYS(green), network ;Link/Act(yellow), POE: PoE (green), ,Fiber port: L/A(green)
Reset Switch	Yes, One-button factory reset
PoE Port	Port 1 to 8 IEEE802.3af/at @ POE

PoE Management	Total power limit of PoE power supply PoE output power allocation, off& af &at PoE output priority configuration PoE working status Delay start of power supply Scheduling of PoE operation and time
Power Supply Pin	Defaul 1/2 (+), 3/6 (-)
Max Power Per Port	30W; IEEE802.3af/at
Total PWR / Input Voltage	120W (AC100-240V)
Power Consumption	Standby:<4W; Full load:<120W
Power Supply	Built-in power supply, AC 100~240V 50-60Hz 2.3A
Operation TEMP / Humidity	-20~+55°C;5%~90% RH Non condensing
Storage TEMP / Humidity	-40~+75°C;5%~95% RH Non condensing
Dimension (L*W*H)	207*140*44mm
Net /Gross Weight	<1.7kg / <2.2kg
Installation	Desktop, 19-inch 1U cabinet
Lightning protection / protection level	Lightning protection: 4KV 8/20us; Protection level: IP30
Certification	CCC; CE mark, commercial; CE/LVD EN60950; FCC Part 15 Class B; RoHS;
Warranty	2 years, lifelong maintenance.
Interface	IEEE802.3X (Full-duplex) Broadcast storm control based on port speed The speed limit of the message flow in the access port. The minimum particle size is 64Kbps. Port temperature protection setting Port green Ethernet Energy-saving setting

Layer 3 Features	<p>L2+ Network management</p> <p>IPV4/IPV6 management</p> <p>L3 soft routing forwarding,</p> <p>Static route, Default route @ 128 pcs, APR @ 1024 pcs</p>
VLAN	<p>4K VLAN based on port, IEEE802.1q</p> <p>VLAN based on the protocol</p> <p>VLAN based on MAC</p> <p>Voice VLAN, QinQ configuration</p> <p>Port configuration of Access, Trunk, Hybrid</p>
Port Aggregation	<p>LACP, Static aggregation</p> <p>Max 5 aggregation groups and 8 ports per group.</p>
Spanning Tree	STP (IEEE802.1d), RSTP (IEEE802.1w), MSTP (IEEE802.1s)
Industrial Ring Network Protocol	<p>G.8032 (ERPS), Recovery time less than 20ms</p> <p>255 Ring at most, Max 1024 devices per ring.</p>
Multicast	<p>IGMP Snooping v1/v2, Max 1024 multicast groups, Fast log out</p> <p>MLD Snooping v1/v2, Multicast VLAN</p>
Port Mirroring	Bidirectional data mirroring based on port
QoS	<p>Diff-Serv QoS, Priority Mark/Remark</p> <p>8*Output queues of each port</p> <p>802.1p/DSCP priority mapping</p> <p>Queue Scheduling Algorithm (SP, WRR, SP+WRR)</p> <p>Flow-based Packet Filtering</p> <p>Flow-based Redirection</p> <p>Flow-based Rate Limiting</p>
ACL	<p>L2 to L4 packet filtering, matching first 80 bytes message. Provide ACL based on MAC, Destination MAC address, IP Source, Destination IP, IP Protocol Type, TCP/UDP Port, TCP/UDP Port Range, and VLAN, etc. Port-based Issuing ACL.</p> <p>ACL based on port and VLAN</p>

Security	<p>User hierarchical management and password protection</p> <p>SSH 2.0, SSL, Port isolation, ARP message speed limit</p> <p>Broadcast storm control, Backup for host datum</p> <p>IEEE802.1X & MAC address authentication</p> <p>Mac black holes, IP source protection</p> <p>AAA & RADIUS, MAC learning limit</p> <p>ARP inspection, Anti-DoS attack</p> <p>IP-MAC-VLAN-Port binding</p>
DHCP	DHCP Client, DHCP Snooping, DHCP Server, DHCP Relay
Management	<p>Console/AUX Modem/Telnet/SSH2.0 CLI</p> <p>Web Management (HTTPS)</p> <p>Download & Management on FTP, TFTP, Xmodem, SFTP, SNMP V1/V2C/V3</p> <p>One-key recovery</p> <p>NTP, System work log, Ping Test</p> <p>Cable Diagnose, LLDP</p> <p>CPU instant utilization status view</p> <p>NMS - Smart Network Management System Platform (LLDP+SNMP)</p>
System	<p>Web browser: Mozilla Firefox 2.5 or higher, Google browser chrome V42 or higher, Microsoft Internet Explorer 10 or later;</p> <p>Category 5 Ethernet network cable</p> <p>TCP/IP, network adapter, and network operating system (such as Microsoft Windows, Linux, or Mac OS X) installed on each computer in a network</p>

DIMENSION



APPLICATOIN



PACKING LIST

CONTENT	QTY	UNIT
10 Ports Full Giga PoE Switch with 2*Giga SFP (EW-S2910GM-AP)	1	SET
User Guide	1	PC
Warranty Card	1	PC